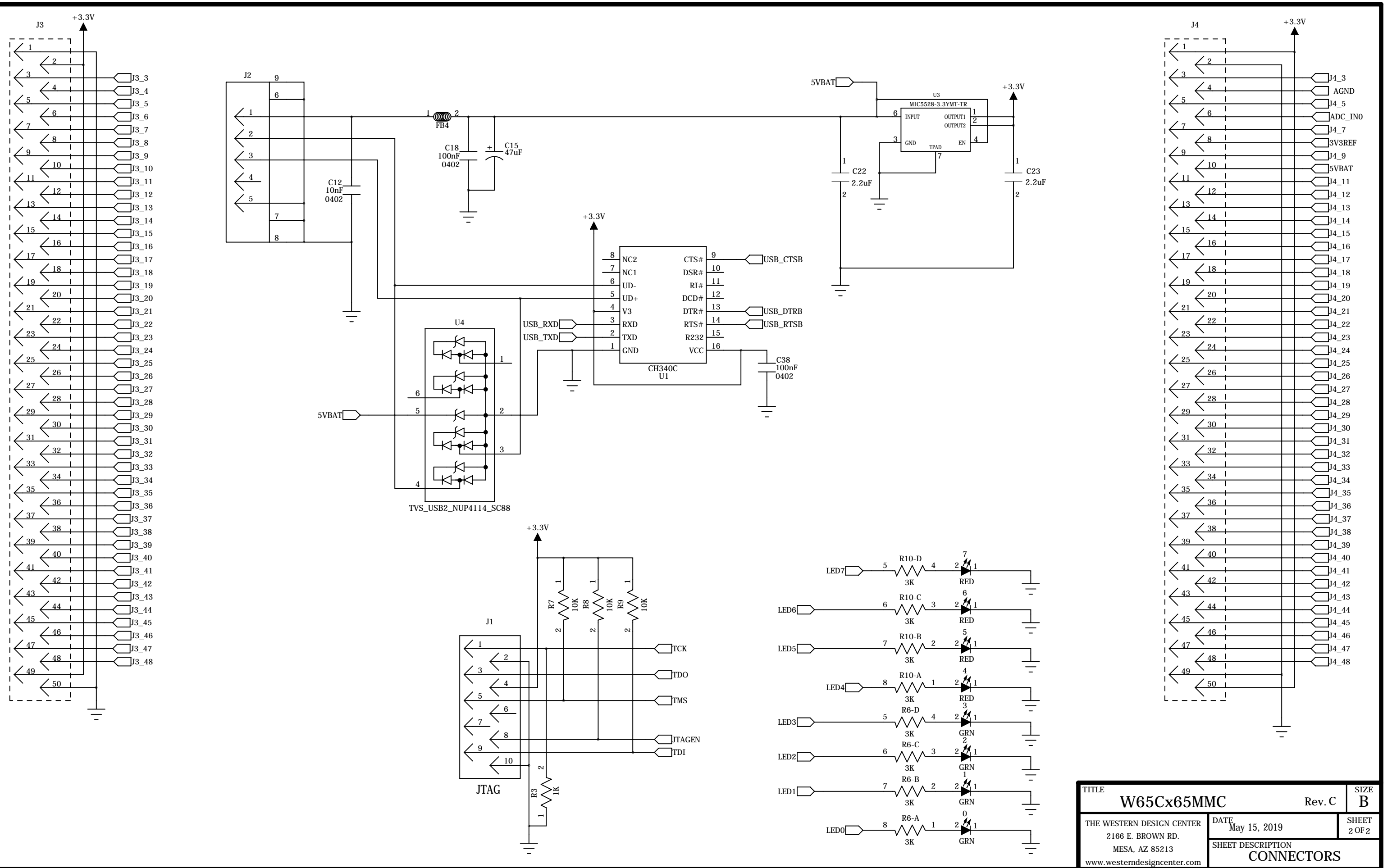


TITLE	<b>W65Cx65MMC</b>	Rev. C	SIZE	<b>B</b>
THE WESTERN DESIGN CENTER	DATE	May 15, 2019	SHEET	1 OF 2
2166 E. BROWN RD.	SHEET DESCRIPTION		FPGA	
MESA, AZ 85213	www.westerndesigncenter.com			



TITLE		W65Cx65MMC		Rev. C	SIZE B
THE WESTERN DESIGN CENTER 2166 E. BROWN RD. MESA, AZ 85213 www.westerndesigncenter.com		DATE May 15, 2019		SHEET 2 OF 2	
SHEET DESCRIPTION CONNECTORS					