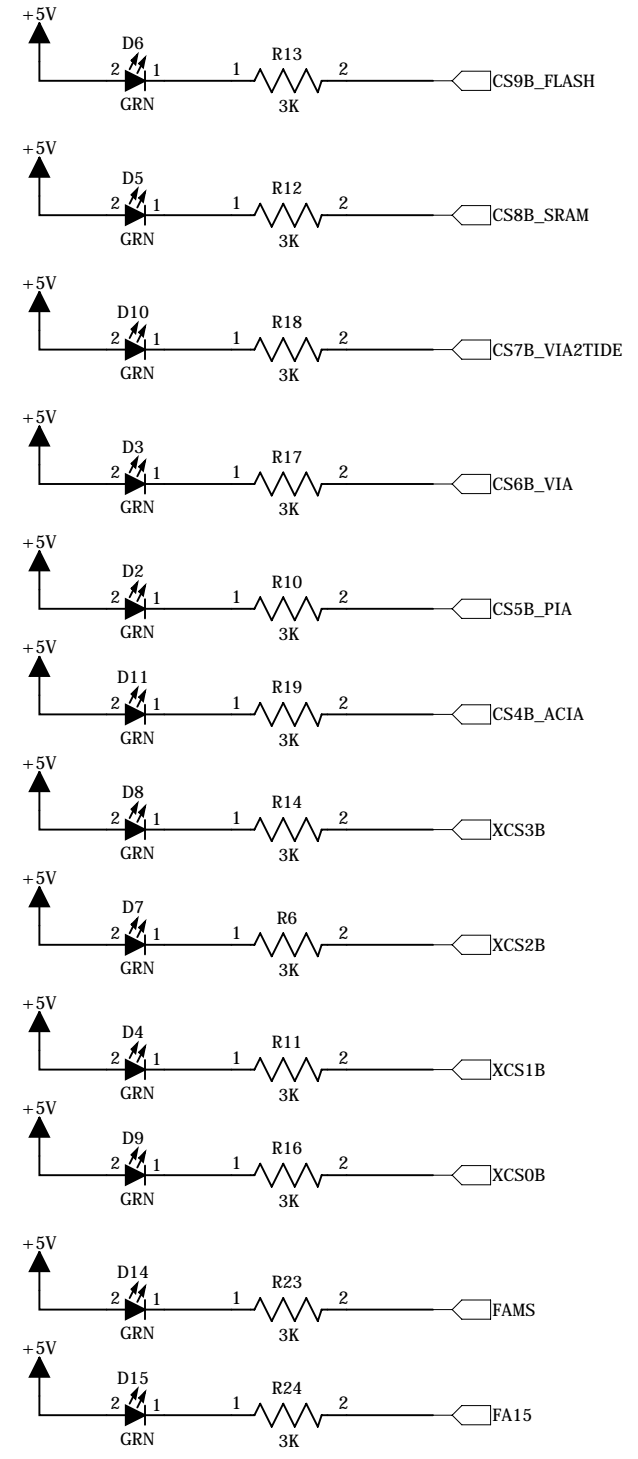
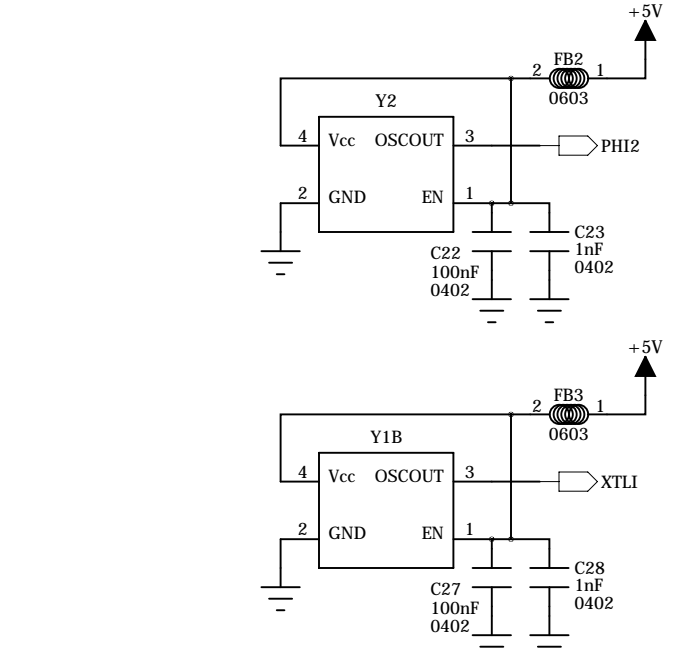
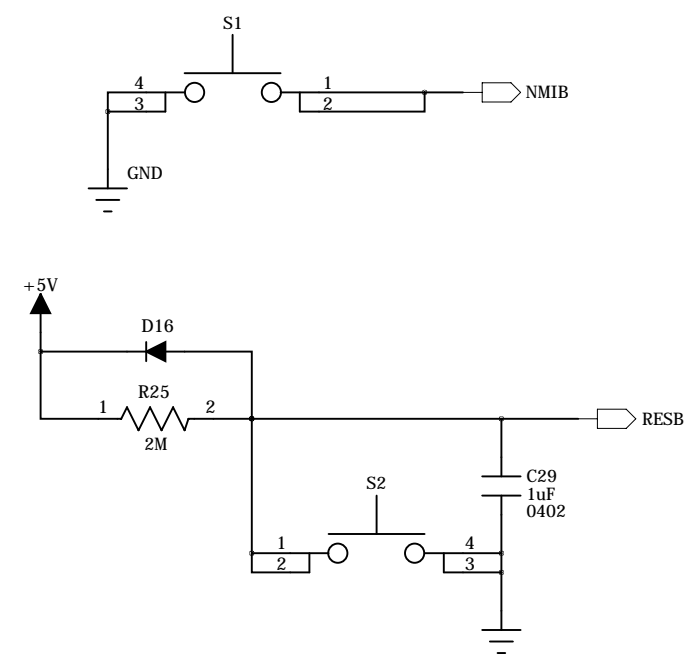
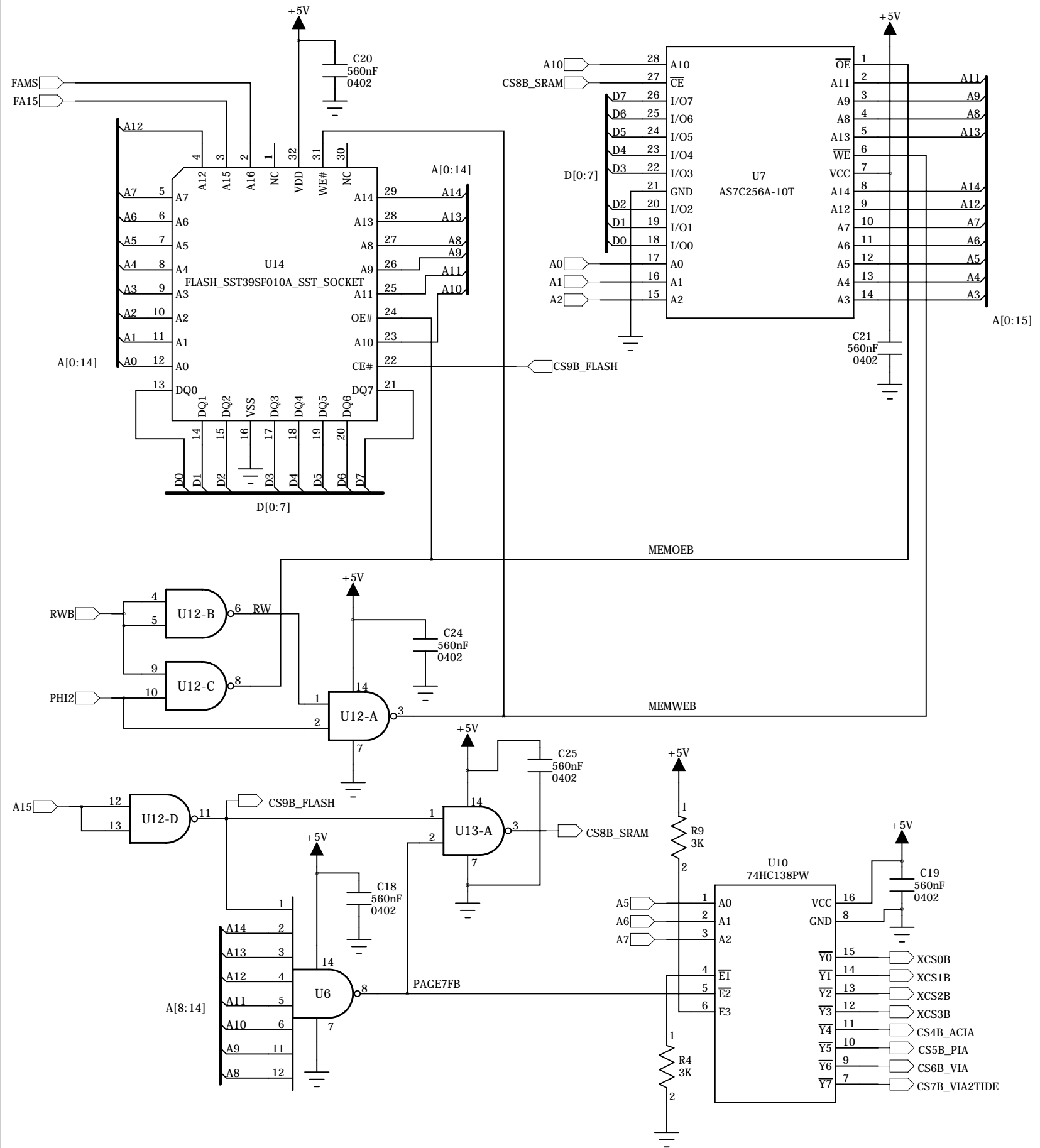
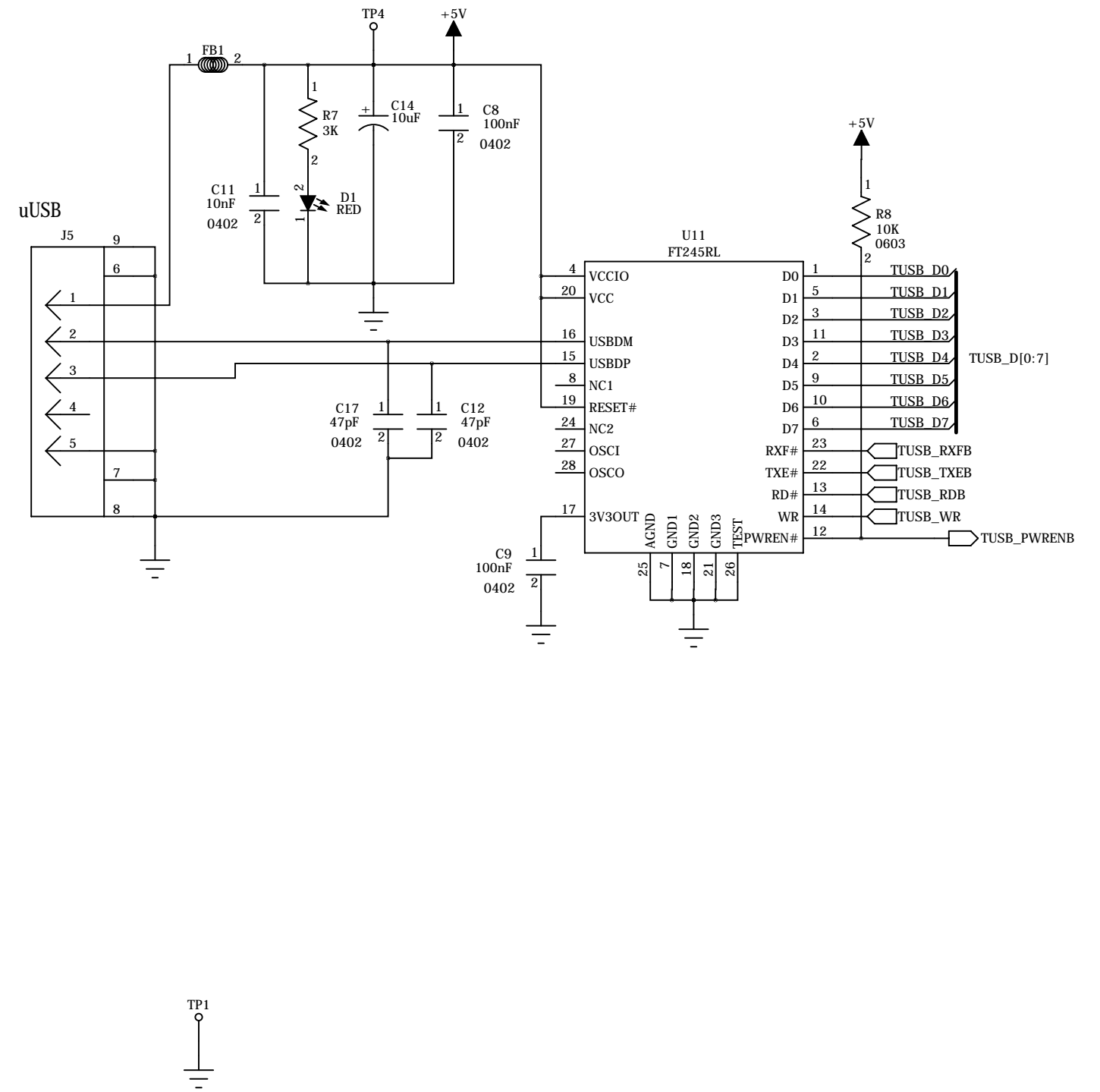
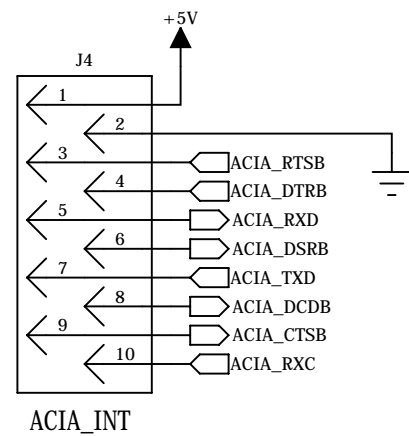
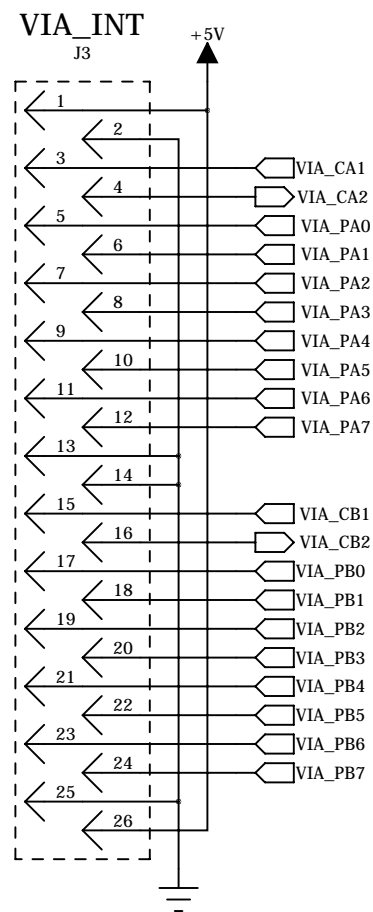
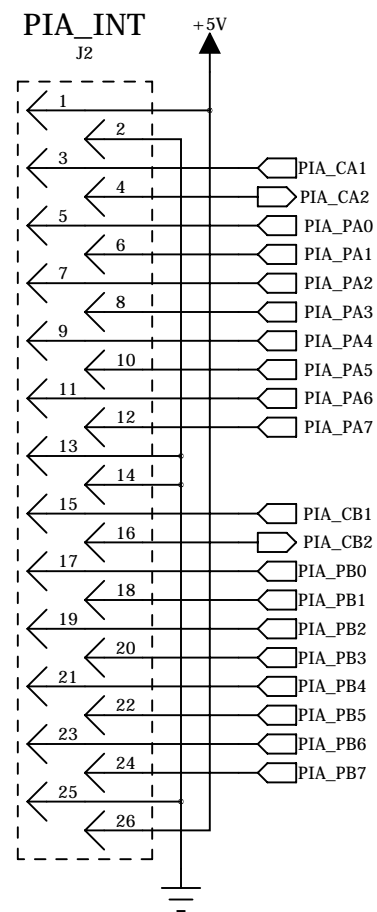
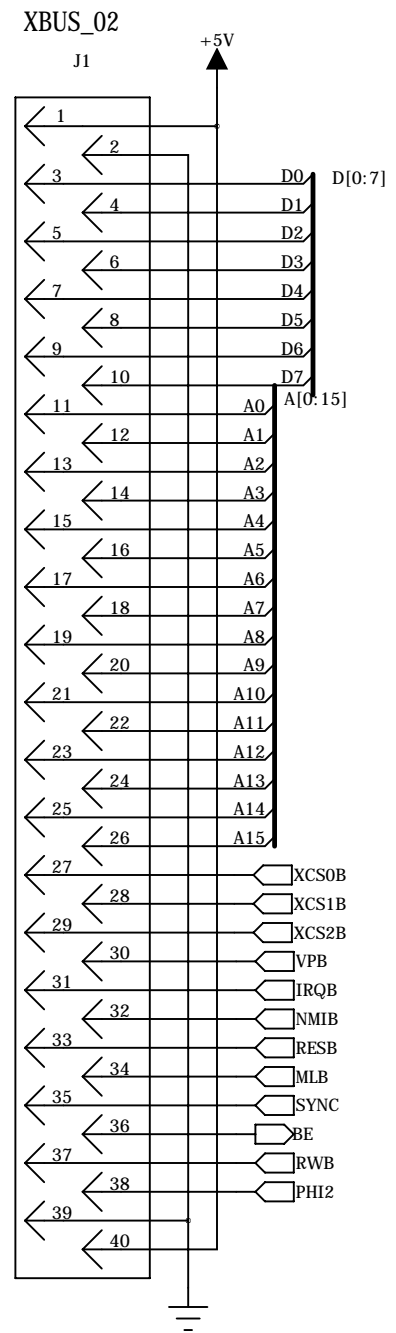


Place 1 x 10nF cap near each U2 - U5 VDD
 Place 1 x 100nF cap near each U2 - U5 VDD
 Place 10nF cap each on U1.9 and U1.37
 Place 100nF cap on U1.9

TITLE		Rev. C		SIZE
W65C02SXB				B
THE WESTERN DESIGN CENTER		DATE	March 11, 2014	SHEET
2166 E. BROWN RD.				1 OF 3
MESA, AZ 85213		SHEET DESCRIPTION		
www.westerndesigncenter.com		65xx		



TITLE	W65C02SXB		Rev. C	SIZE B
THE WESTERN DESIGN CENTER 2166 E. BROWN RD. MESA, AZ 85213 www.westerndesigncenter.com	DATE March 11, 2014	SHEET 2 OF 3		
SHEET DESCRIPTION MEMORY				



TITLE		W65C02SXB		Rev. C	SIZE B
THE WESTERN DESIGN CENTER 2166 E. BROWN RD. MESA, AZ 85213 www.westerndesigncenter.com		DATE	March 11, 2014	SHEET 3 OF 3	
		SHEET DESCRIPTION CONNECTORS			